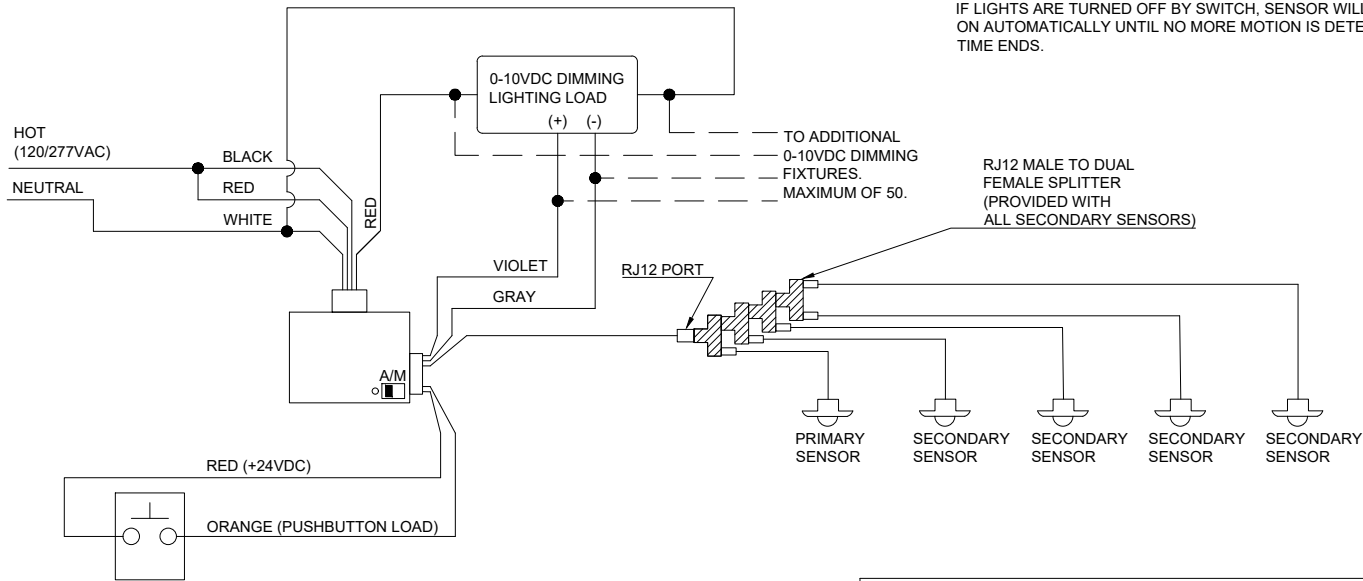


OPERATION:

IN MANUAL MODE, LIGHTING LOAD TURNS ON WHEN OCCUPANT PRESSES MOMENTARY SWITCH. LIGHTING LOAD GOES PRESET LIGHT LEVEL. LIGHTS TURN OFF, WHEN OCCUPANT PRESSES SWITCH AGAIN OR WHEN SENSOR FOLLOW-UP TIME ENDS.

IN AUTO MODE, LIGHTING LOAD TURNS ON WHEN OCCUPANT ENTERS THE SPACE. LIGHTING LOAD GOES TO PRESET LIGHT LEVEL. LIGHTS TURN OFF, WHEN OCCUPANT PRESSES THE SWITCH OR WHEN SENSOR FOLLOW-UP TIME ENDS.

IF LIGHTS ARE TURNED OFF BY SWITCH, SENSOR WILL TURN LIGHTS BACK ON AUTOMATICALLY UNTIL NO MORE MOTION IS DETECTED AND FOLLOW-UP TIME ENDS.



NOTE:

ONE PRIMARY AND UP TO FOUR SECONDARY SENSORS MAY BE CONNECTED TO A POWER PACK.

TO EXTEND SENSOR DISTANCE FROM POWER PACK USE RJ12 FEMALE COUPLER (NOT PROVIDED) AND RJ12 (6 CONDUCTOR) SHIELDED CABLE.

MAXIMUM 300 FT. COMBINED WIRE DISTANCE BETWEEN POWER PACK AND ALL SENSORS.

CONTROLS EQUIPMENT		
MODEL	PART NUMBER	DESCRIPTION
MINI-P-PP-DIM-FC	97181	MINI INDOOR PRIMARY 0-10VDC DIMMING SENSOR
MINI-S-PP-FC	97183	MINI INDOOR SECONDARY SENSOR
MINI-P-PP-DIM-W-FC	97191	MINI PRIMARY 0-10VDC DIMMING SENSOR, WET RATED
MINI-S-PP-W-FC	97193	MINI SECONDARY SENSOR, WET RATED
PP-DIM-J	97017	0-10VDC DIMMING POWER PACK
WSTP-1LB-W	60001	NORMALLY OPEN MOMENTARY SWITCH

**MINI SENSOR - OCCUPANCY / VACANCY
MULTIPLE SENSOR WIRING DIAGRAM
0-10VDC DIMMING
LOW VOLTAGE ON/OFF AND DIM MANUAL
CONTROL**



B.E.G Controls
277 Highway 74 N
Suite 319
Peachtree City, GA 30269
Tel.: 770-349-6341
E-Mail: info@begcontrols.com
www.begcontrols.com

This drawing may not be disclosed to third parties or competitors without our (written) consent.

Name: J.O.
Date: DATE

Rev: A
Sc:NTS

Mod.: DIAGRAMS
File: WIRING_DIAGRAMS_A
Sheet: 8
Art.: TABLE

**CEILING_SENSOR
WIRING_DIAGRAM**